



D90sw

SITE DUMPER



ENGINE		TIER 4F
Model:	KOHLER series KDI 2504	
Type:	Turbo Intercooler	
Displacement, No. cylinders:	2,482cc - 4 inline	
Injection:	Electronic Control w/ Common Rail	
Aftertreatment system:	EGR + DOC	
Cooling:	Air Water, Dry Air Filter	
Maximum Power:	74.3 hp (55.4 kW)	
Adj. Power:	74.3 hp (55.5 kW) @ 2,300 rpm	
Maximum Torque:	221 lbf.ft (300 Nm) @ 1,500 rpm	
Alternator:	12 V - 80 A	

4 X 4 DRIVE

Hydrostatic "automotive" transmission with variable displacement pump and variable displacement hydraulic motor with electro-hydraulic control, and reverse gear control on the steering wheel.
 Electro-hydraulically controlled mechanical gearbox for "working speed" and "road transfer" speed.

Speed:

	4 fwd gears,	2 reverse gears
I°	0 - 1.9 mph	0 - 1.9 mph
II°	0 - 4.5 mph	0 - 6.2 mph
III°	0 - 6.2 mph	
IV°	0 - 15.5 mph	

Traction / weight ratio: 48%

AXLES AND WHEELS

Front load-bearing, oscillating ($\pm 6^\circ$) with planetary reduction gears on the wheel hubs.
 Rear load-bearing and steering with planetary reduction gears on the wheel hubs and directly flanged gearbox.

Tires: 405/70-20 16PR

ELECTRIC SYSTEM

Battery:

Tier 4F 12 V - 132 Ah
 LED road light system, rear working lights.

WWW.FIORIGROUP.COM

EQUIPMENT HYDRAULIC SYSTEM

Gear Pump:

Max. low rate: 11.89 gal/min
 Max. pressure: 230 bar

2 - elements distributor.

Aluminium heat exchanger for hydraulic oil cooling.

Pressurized closed-circuit intake with oil filter replaceable from the outside.

CAB

Closed cab with heating system designed according to ROPS & FOPS Level II criteria, windows on three sides. Optional cab doors.
 Sliding window on cabin door.

180° pivoting driving post. Anatomic seat with flexible suspension and height adjustment, seat belts.
 Driving and equipment controls with ergonomic arrangement. LCD display with reverse camera.

STEERING

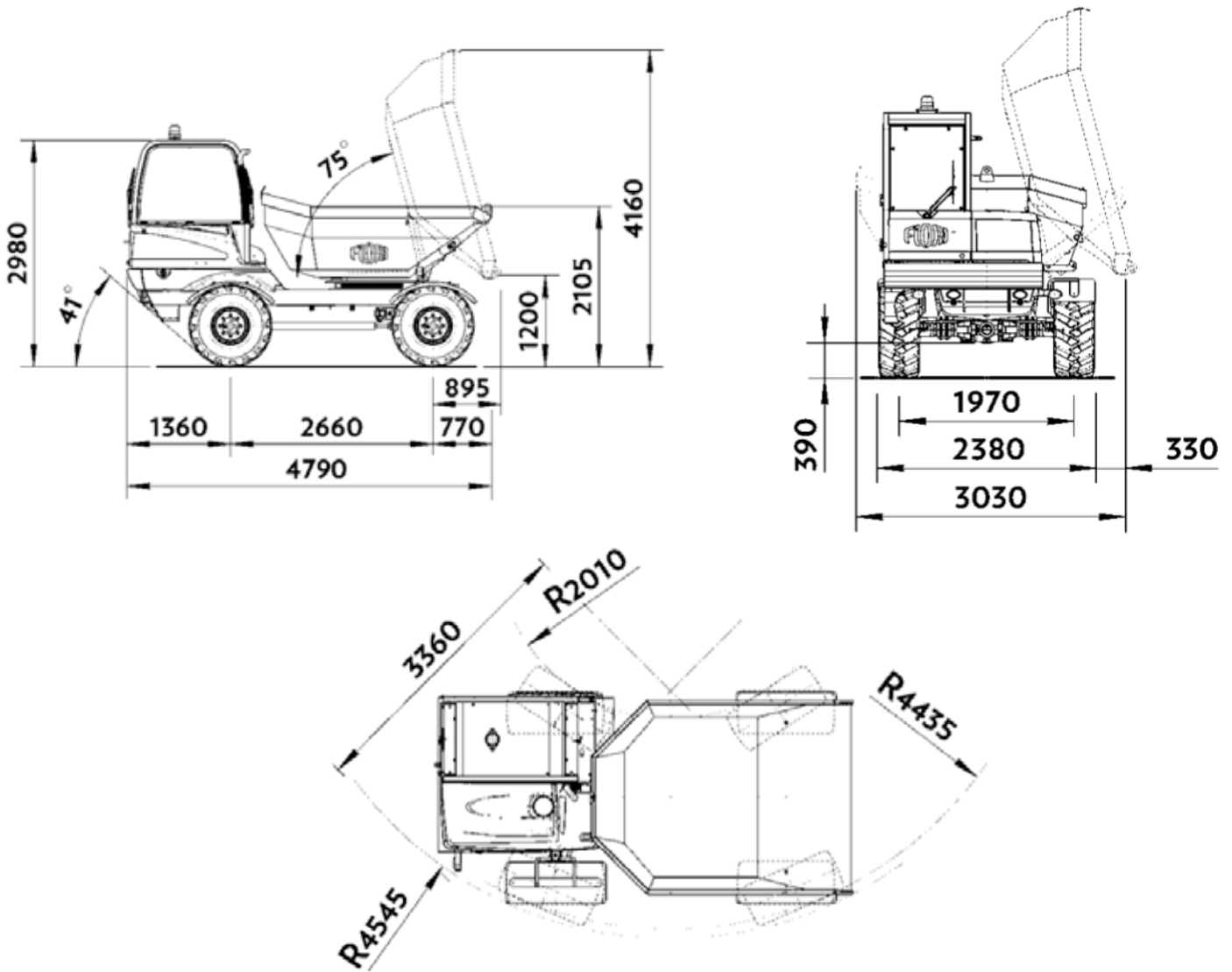
Assisted by means of load-sensing power steering with double displacement on 4 steering wheels; steering selection device for: 2 steering wheels, 4 steering wheels - crab steering.

WWW.BELLTRUCKSAMERICA.COM



D90sw

SITE DUMPER



DUMP BODY

Dump body tilting by means of 2 double-acting jack. Orientation over 180° for trilateral unloading by means of "heavy-duty" ball fifth wheel, with hydraulic rotation and automatic locking by means of negative brake.

Struck capacity: 4.58 cu yd
 SAE heaped capacity: 6.28 cu yd

WEIGHTS

Operating weight: 12,345 lb
 Max. gross weight: 32,628 lb
 Load-carrying capacity: 19,842 lb

BRAKES

Internal oil-bath disc service and emergency brakes acting on the 4 wheels, activation with pump on independent dual circuit.

Negative-type parking brake with internal oil-bath discs on the rear axle and electro-hydraulically controlled release.

SERVICE REFILL CAPACITIES

Fuel tank: 25.1 gal
 Total hydraulic system capacity: 27.7 gal
 Engine oil: 17.63 lb