



# D120sw SITE DUMPER



ENGINE		TIER 4F
Model:	KOHLER series KDI 3404 TCRSCR	
Type:	Turbo Intercooler	
Displacement, No. cylinders:	3,400cc - 4 inline	
Injection:	Electronic Control w/ Common Rail	
Aftertreatment system:	EGR + DOC + SCR	
Cooling:	Air Water, Dry Air Filter	
Maximum Power:	122 hp (90 kW)	
Adj. Power:	122 hp (90 kW) @ 2,200 rpm	
Maximum Torque:	368.8 lbf.ft (500 Nm) @ 1,400 rpm	
Alternator:	12 V - 90 A	

## 4 X 4 DRIVE

Hydrostatic "automotive" transmission with variable displacement pump and variable displacement hydraulic motor with electro-hydraulic control, and reverse gear control on the steering wheel.  
 Electro-hydraulically controlled mechanical gearbox for "working speed" and "road transfer" speed.

### Speed:

	4 fwd gears,	4 reverse gears
I°	0 - 2.3 mph	0 - 2.3 mph
II°	0 - 5.9 mph	0 - 2.3 mph
III°	0 - 7.4 mph	0 - 7.4 mph
IV°	0 - 18.7 mph	0 - 7.4 mph

Traction / weight ratio: ..... 48%

## AXLES AND WHEELS

Front load-bearing, oscillating ( $\pm 6^\circ$ ) with planetary reduction gears on the wheel hubs.  
 Rear load-bearing and steering with planetary reduction gears on the wheel hubs and directly flanged gearbox.

**Tires:** 600/50 R22.5

## ELECTRIC SYSTEM

### Battery:

Tier 4F 12 V - 132 Ah  
 LED road light system, rear working lights.

## EQUIPMENT HYDRAULIC SYSTEM

### Gear Pump:

Max. low rate: ..... 11.89 gal/min  
 Max. pressure: ..... 230 bar

2 - elements distributor.

Aluminium heat exchanger for hydraulic oil cooling.

Pressurized closed-circuit intake with oil filter replaceable from the outside.

## CAB

Closed cab with heating system designed according to ROPS & FOPS Level II criteria, windows on three sides. Sliding window on cabin door.

180° pivoting driving post. Anatomic seat with flexible suspension and height adjustment, seat belts.

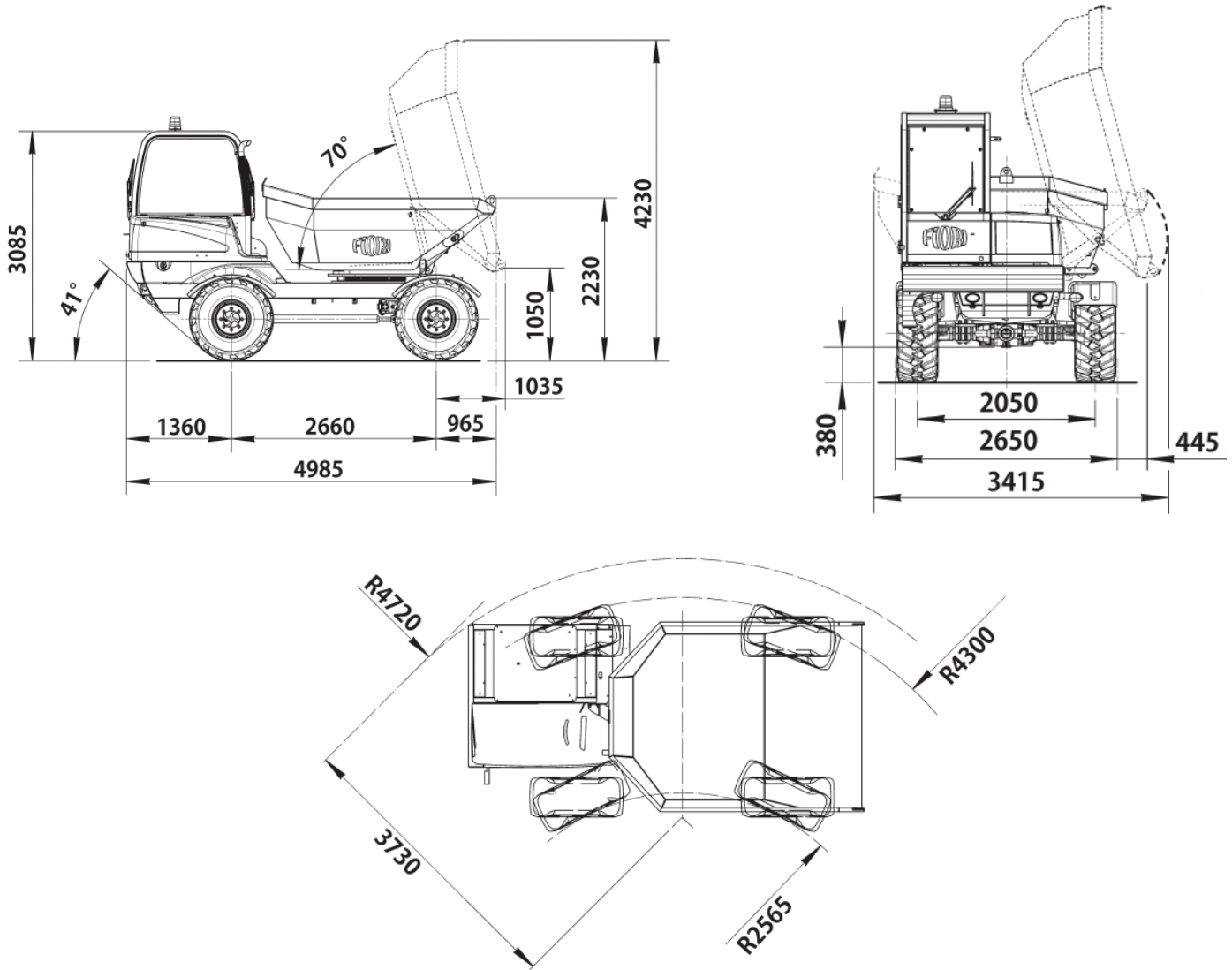
Driving and equipment controls with ergonomic arrangement. LCD display with reverse camera.

## STEERING

Assisted by means of load-sensing power steering with double displacement on 4 steering wheels; steering selection device for: 2 steering wheels, 4 steering wheels - crab steering.



# D120sw SITE DUMPER



## DUMP BODY

Dump body tilting by means of 2 double-acting jack. Orientation over 180° for trilateral unloading by means of "heavy-duty" ball fifth wheel, with hydraulic rotation and automatic locking by means of negative brake.

Struck capacity: ..... 6.5 cu yd  
 SAE heaped capacity: ..... 8.25 cu yd

## WEIGHTS

Operating weight: ..... 13,230 lb  
 Max. gross weight: ..... 39,700 lb  
 Load-carrying capacity: ..... 26,500 lb

## BRAKES

Internal oil-bath disc service and emergency brakes acting on the 4 wheels, activation with pump on independent dual circuit.

Negative-type parking brake with internal oil-bath discs on the rear axle and electro-hydraulically controlled release.

## SERVICE REFILL CAPACITIES

Fuel tank: ..... 25.1 gal  
 Total hydraulic system capacity: ..... 27.7 gal  
 Engine oil: ..... 17.63 lb